

MULTI-LINK TELE-ALARM DEVICES



LIGHT Wi-Fi Family.

The tele alarm available in two versions:
Wi-Fi or Wi-Fi GPRS.

Urmet ATE presents Light Wi-Fi, the new family of tele alarm peripherals combining easy installation and a high security standard. Using exclusively wireless communication protocols, Light Wi-Fi can be conveniently and quickly activated. Equipped with inputs and outputs, the peripherals receive and output alarms in Contact ID format to both AteArgo units, and other centralised systems featuring a receiver, via SIA IP DC 09 standard protocol. The line is available in two versions: Wi-Fi or Wi-Fi + GPRS and can be fully managed by Vigilate, the new App by Urmet Ate.

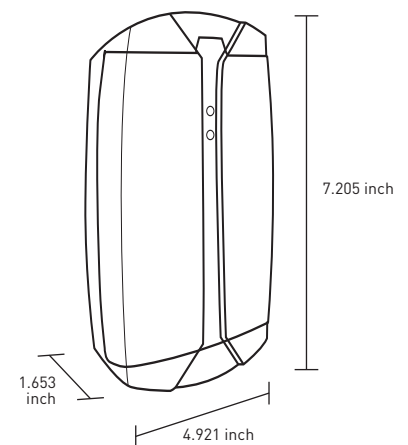


LIGHT

Wi-Fi / family

TELE ALARM PERIPHERALS

- Tele alarm based on wireless technology
- Superior security
- Compact size
- High performance
- Extremely low running costs
- Plug & play installation
- Compatible with all alarm receiving units



PA119 LIGHT Wi-Fi
PA120 LIGHT Wi-Fi / GPRS

— totally wireless
— high security level
— easy to install



LIGHT
Wi-Fi / family
TELE ALARM PERIPHERALS

PA119 - LIGHT Wi-Fi | PA120 - LIGHT Wi-Fi / GPRS

MULTIPLE PROTOCOL TELE ALARM PERIPHERALS

LIGHT Wi-Fi Family

Shared characteristics

- **Wi-Fi Module:** indoor range 30 metres, outdoor range 200 metres
- **PSTN line simulator** with clamp-type terminals for receiving telephone alarms in Contact ID format
- **8 dry contact inputs** with pull-up
- **4 open collector outputs** that can be set, with one or two positions, max 100 mA
- **Operation and Control via Ateargo:** remote control, metering reading and supervision
- **Local setup via USB:** Windows-based software to locally set up and monitor the equipment via USB port

LIGHT Wi-Fi Family	PA119	PA120
	LIGHT Wi-Fi	LIGHT Wi-Fi / GPRS
Wi-Fi Module	802.11b/g/n Radio - 2.4 Ghz TX Power 17 dBm RX Sensitivity -87 dBm Indoor range: 30 metres Outdoor range: 200 metres Internal antenna	802.11b/g/n Radio - 2.4 Ghz TX Power 17 dBm RX Sensitivity -87 dBm Indoor range: 30 metres Outdoor range: 200 metres Internal antenna
Telephone Module	-	GSM/GPRS DUAL Band at 2W Stylus antenna with SMA connector - possible extension available Antenna disconnection control
Telephone Interface	PSTN line simulator with clamp-type terminals for receiving telephone alarms in Contact ID format	PSTN line simulator with clamp-type terminals for receiving telephone alarms in Contact ID format
Indicators	external LEDs 1 - Device status two-colour LED 2 - Alarm LED internal LEDs 1 - power on 2 - battery status	external LEDs 1 - Device status two-colour LED 2 - Alarm LED internal LEDs internal LEDs 1 - power on 2 - battery status 3 - GSM recording / switch-on status
Inputs	8 dry contact inputs with pull-up; low level <0.8V; high level >2V; 1mA low level current; max 5V voltage; tamper warning for device opening; test button for transmission test	8 dry contact inputs with pull-up; low level <0.8V; high level >2V; 1mA low level current; max 5V voltage; tamper warning for device opening; test button for transmission test
Outputs	4 open collector outputs that can be set, with one or two positions, max 100 mA	4 open collector outputs that can be set, with one or two positions, max 100 mA
Operation and Control via Ateargo	Remote control and supervision Remote reading of peripheral status Remote controls for remotely activating the outputs Calendar management for automatic control and activation of the alarm system Event logger black box Remote update from Control unit	Remote control and supervision Remote reading of peripheral status Remote controls for remotely activating the outputs Calendar management for automatic control and activation of the alarm system Event logger black box Remote update from Control unit
SIA receiver	Possibility to centralise alarms on SIA IP DC 09 Receiver	Possibility to centralise alarms on SIA IP DC 09 Receiver
Alarm causes	Digital input status change Technological alarms: tamper, test button, power. Contact ID alarms input via PSTN interface.	Digital input status change Technological alarms: tamper, test button, power, battery, jammer, no GSM range, GSM Antenna Off. Contact ID alarms input via PSTN interface.
Checks	Ongoing check of Wi-Fi connection to control unit, real-time monitoring of peripheral heartbeat	Ongoing check of both Wi-Fi and GPRS connection to control unit, real-time monitoring of peripheral heartbeat. Regular range check through GSM test cycles
Local setup via USB	Windows-based software to locally set up and monitor the equipment via USB port	Windows-based software to locally set up and monitor the equipment via USB port
Battery	Lithium-ion 3.7V-900mAh approx. 24 hours (recharging time approx. 90 minutes) indicator for battery charged / being charged / faulty / missing	Lithium-ion 3.7V-900mAh approx. 18 hours (recharging time approx. 90 minutes) indicator for battery charged / being charged / faulty / missing
Power supply	Through external power unit at a DC voltage ranging between 12 and 15V, with maximum current input of 2A. Through USB at a DC voltage of 5V and with current limitation of 500 mA	Through external power unit at a DC voltage ranging between 12 and 15V, with maximum current input of 2A. Through USB at a DC voltage of 5V and with current limitation of 500 mA
Average consumption:	30 mA	40 mA
Operating temperature	-20 +55°C	-20 +55°C
Dimensions (mm, W x H x D)	183 x 125 x 42	183 x 125 x 42
Weight	250 g with battery	300 g with battery

UA_ST_1015_LIGHT-WI-FI-FAMILY_ENG

Urmet ATE S.r.l. reserves the right to change the characteristics of the described product. 1st Ed.



UNI EN ISO 9001:2000



urmet
ATE

URMET ATE S.r.l.
Via Pola, 30 | 36040 Torri di Quartesolo VI (ITALY)
t +39-0444.26.82.11 | f +39-0444.26.82.22
info@urmet-ate.it | www.urmet-ate.it